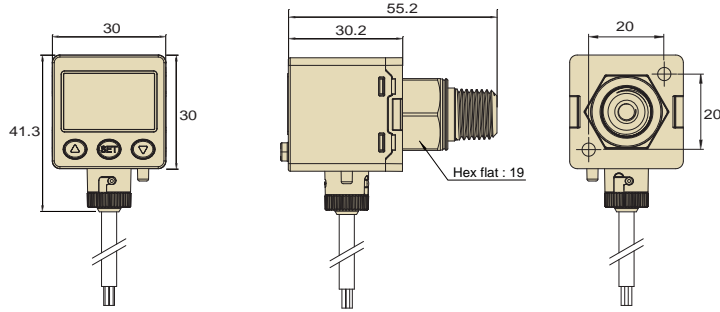
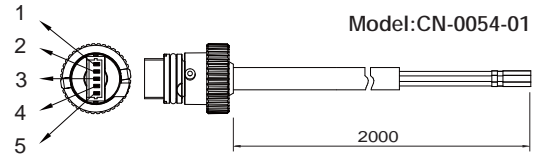


DIMENSION

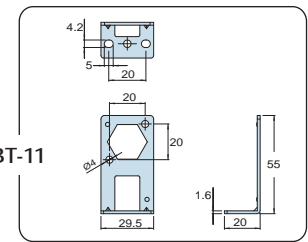
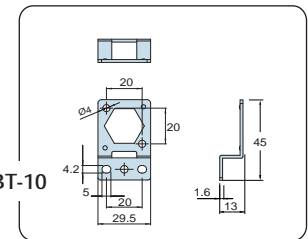
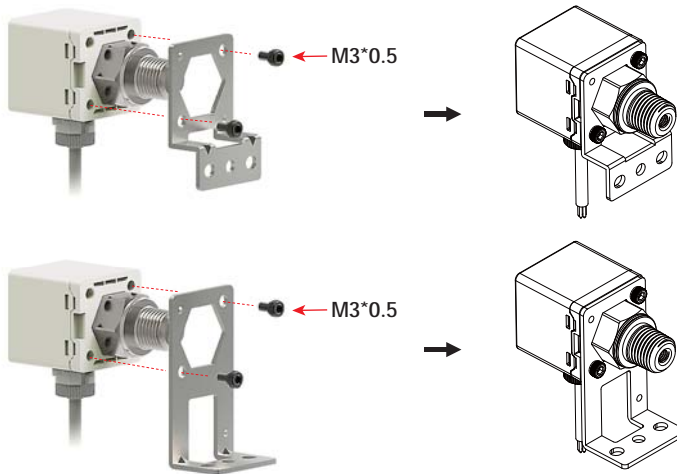


| PIN No. | Wire Color |
|---------|-----------------------|
| 1 | DC(-)(Blue) |
| 2 | OUT1(Black) |
| 3 | OUT2(White) |
| 4 | Analog output(Orange) |
| 5 | DC(+)(Brown) |

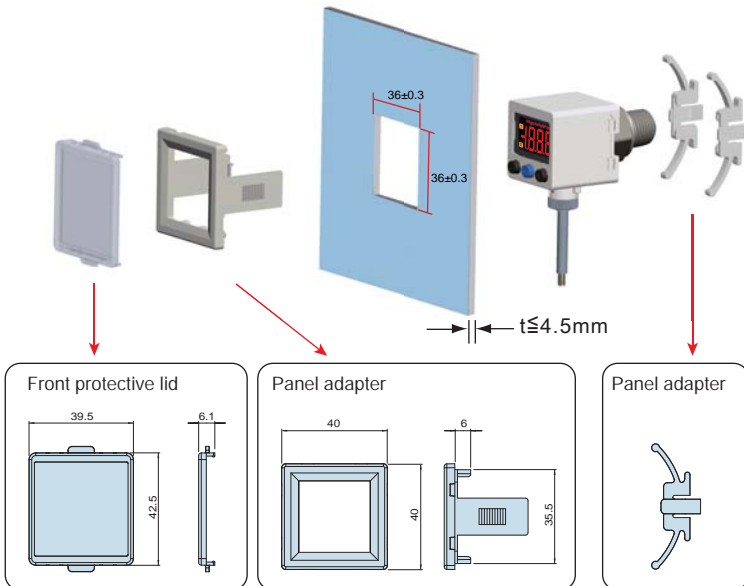


OPTIONAL PARTS DIMENSIONS

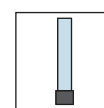
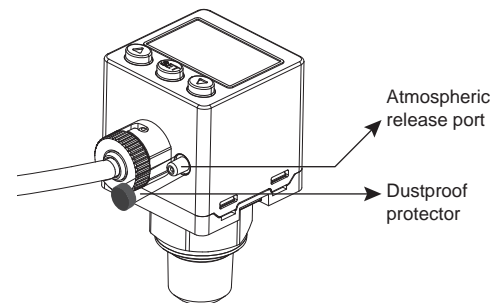
1 Mounting Bracket



2 Panel Mount Adapter + Front Protective Lid



3 IP65 Protector



Caution:
This device must be installed to maintain IP 65(Dust and splash proof) enclosure rating.

Unit:mm