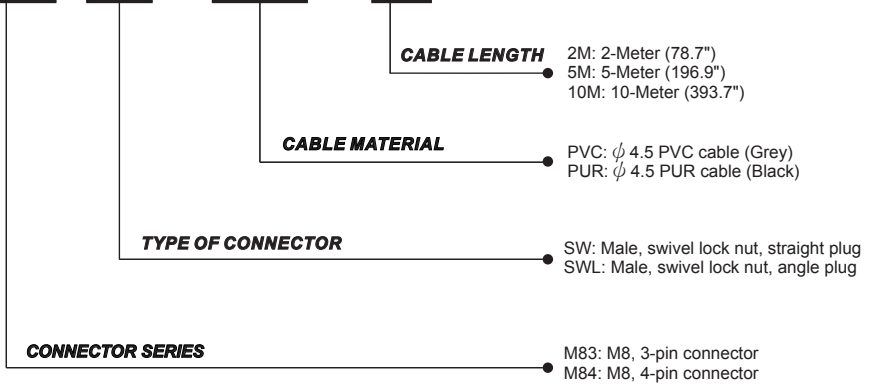


ORDERING INFORMATION

M 8 3 S W - P U R - 2 M

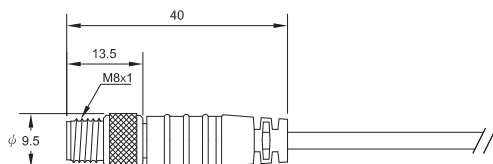


SPECIFICATION

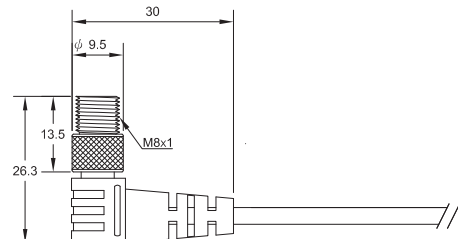
TYPE	M83SW-□ M83SWL-□	M84SW-□ M84SWL-□		
MALE PINOUT				
CHARACTERISTICS				
CONDUCTOR COLORS	1:Brown 3:Blue 4:Black	1:Brown 2:White 3:Blue 4:Black		
NUMBER OF CONTACTS	3	4		
RATED VOLTAGE	60V AC/DC			
RATED CURRENT	3A			
CONTACT MATERIAL	Gold plated brass			
CONTACT BEARER MATERIAL	PU			
HOUSING MATERIAL	PU			
HOUSING COLOR	Black			
CABLE MATERIAL	PVC	PUR	PVC	PUR
CABLE COLOR	Grey	Black	Grey	Black
CONDUCTOR SIZE	24AWG (0.22mm ²)			
CABLE DIAMETER	0.177" (4.5mm)			
LED COLOR	-			
PROTECTION CLASS(IEC60529)	IP67			
TEMPERATURE RANGE	-20~80°C (-4~176°F)			

DIMENSION

M83SW/M84SW



M83SWL/M84SWL



Unit:mm