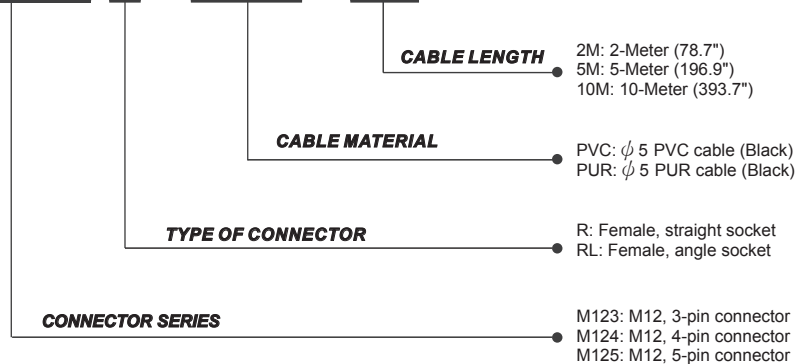




ORDERING INFORMATION



M 1 2 3 R - P U R - 2 M

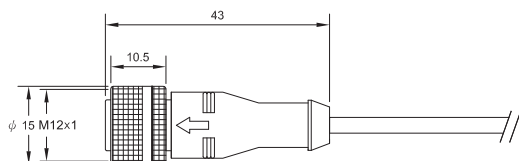


SPECIFICATION

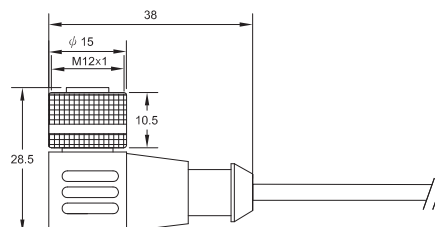
TYPE	M123R-□ M123RL-□	M124R-□ M124RL-□	M125R-□ M125RL-□			
FEMALE PINOUT						
CHARACTERISTICS						
CONDUCTOR COLORS	1:Brown 2:N/C(NO connect) 3:Blue 4:Black 5:N/C(NO connect)	1:Brown 2:White 3:Blue 4:Black 5:N/C(NO connect)	1:Brown 2:White 3:Blue 4:Black 5:Grey			
NUMBER OF CONTACTS	3	4	5			
RATED VOLTAGE	250V AC/DC		60V AC/DC			
RATED CURRENT	4A					
CONTACT MATERIAL	Gold plated brass					
CONTACT BEARER MATERIAL	PU					
HOUSING MATERIAL	PU					
HOUSING COLOR	Black					
CABLE MATERIAL	PVC	PUR	PVC	PUR	PVC	PUR
CABLE COLOR	Black					
CONDUCTOR SIZE	22AWG (0.34mm ²)					
CABLE DIAMETER	0.197" (5mm)					
LED COLOR	-					
PROTECTION CLASS(IEC60529)	IP67					
TEMPERATURE RANGE	-20~80°C (-4~176°F)					

DIMENSION

M123R/M124R/M125R



M123RL/M124RL/M125RL



Unit:mm